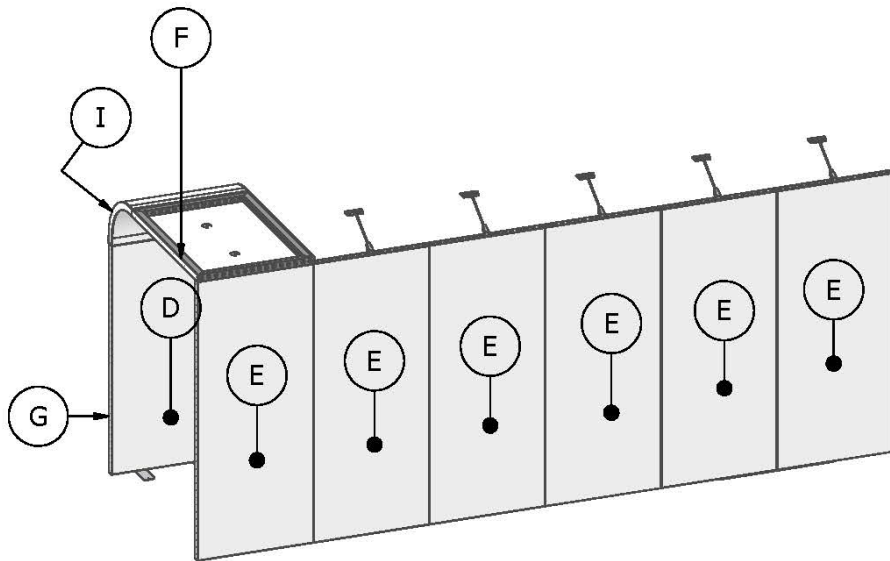
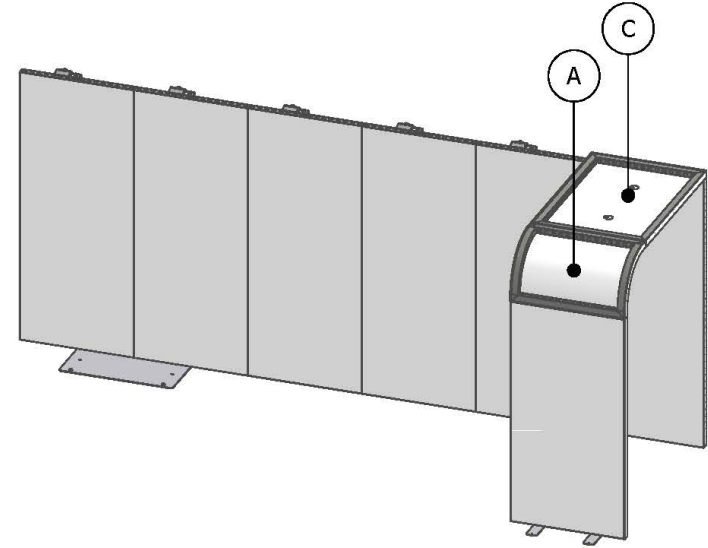
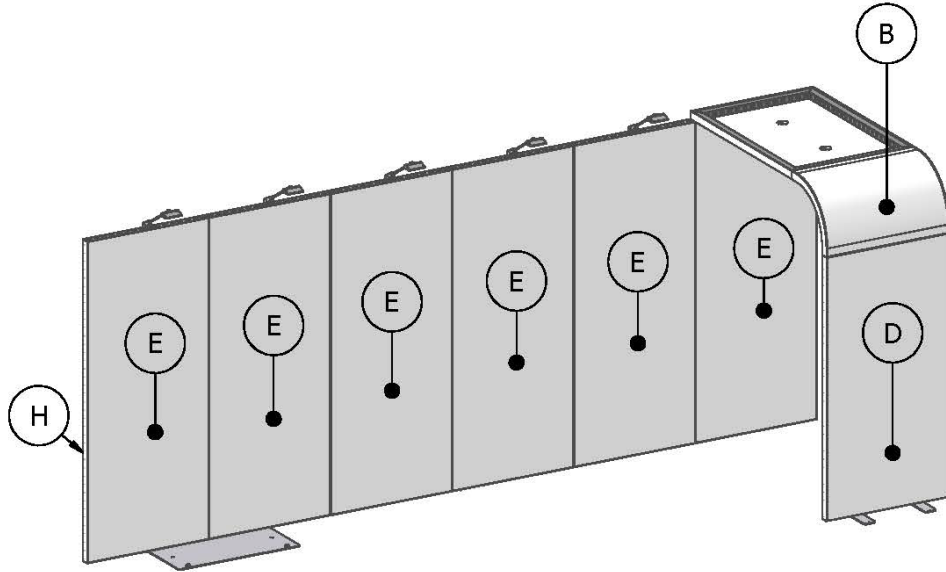


10X20 PACKAGE 3

All concepts and designs by The Expo Group are protected under current Federal Copyright Laws. Unauthorized use or reproduction without the written consent of The Expo Group is forbidden.

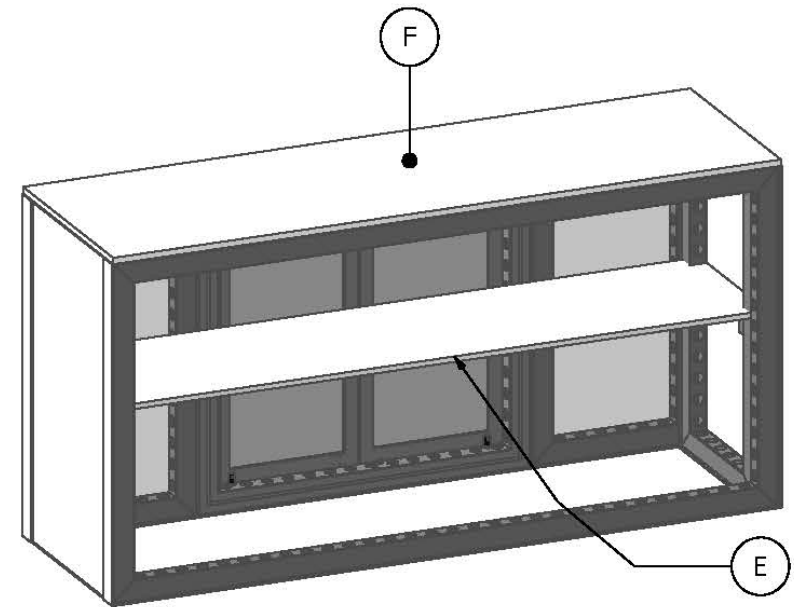
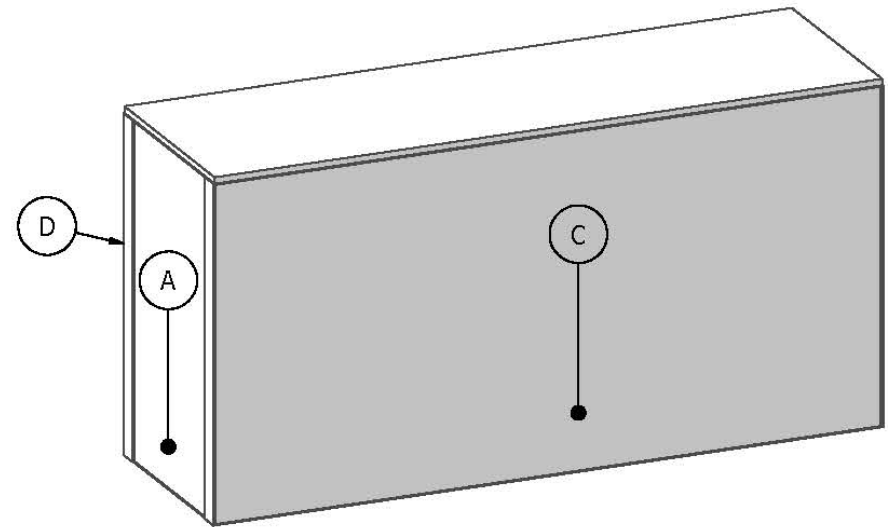
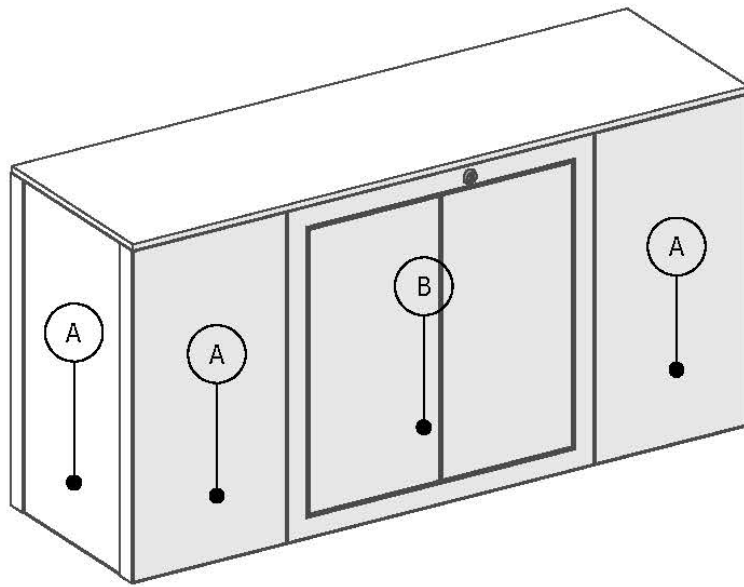


PANELS LIST

| ITEM | QTY | ARTICLE | DESCRIPTION |
|------|-----|--|---|
| A | 1 | Panel for 0496 0992 RAD Frame | 27-7/8" X 38-13/16" [0709 X 0986MM] Inside |
| B | 1 | Panel for 0496 0992 RAD Frame | 31-1/2" x 38-13/16" [0800 X 0986MM] Outside |
| C | 1 | Panel for 0992 1426 Frame | 38-13/16" x 55-15/16" [0986 X 1420MM] |
| D | 2 | Panel for 0992 1984 Frame | 38-13/16" x 77-7/8" [0986 X 1978MM] |
| E | 12 | Panel for 0992 2418 Frame | 38-13/16 x 94-15/16" [986 x 2412MM] |
| F | 2 | Panel Strip for 1426 Frame | 1/8" Sintra 2-7/16" x 56-1/8" |
| G | 2 | Panel Strip for 1984 Frame | 1/8" Sintra 2-7/16" x 78-1/8" |
| H | 2 | Panel Strip for 2418 Frame | 1/8" Sintra 2-7/16" x 95-3/16" |
| I | 2 | Panel Strip for 688 0496 0992 30 Rad Frame | |

10X20 PACKAGE 3

All concepts and designs by The Expo Group are protected under current Federal Copyright Laws. Unauthorized use or reproduction without the written consent of The Expo Group is forbidden.



PANELS LIST

| ITEM | QTY | ARTICLE | DESCRIPTION |
|------|-----|--------------------------------|---|
| A | 4 | Panel for 0496 0992 Frame | 19-1/4" x 38-13/16" [0490 X 0986MM] |
| B | 1 | Panel for 0992 0922 Frame Door | 38-13/16" x 38-13/16" x 2-7/16" [986MM x 986MM x 62MM] |
| C | 1 | Panel for 0992 1984 Frame | 38-13/16" x 77-7/8" [0986 X 1978MM] |
| D | 4 | Panel Strip for 0992 Frame | 1/8" Sintra 2-7/16" x 39-1/16" |
| E | 1 | Shelf | 77" x 17-3/8" [1956 x 441mm] |
| F | 1 | Countertop [1984 x 620mm] | 78-1/8" x 24-7/16" [19 x 1984 x 620MM] |

10X20 PACKAGE 3

All concepts and designs by The Expo Group are protected under current Federal Copyright Laws. Unauthorized use or reproduction without the written consent of The Expo Group is forbidden.